

---

Model **SGi28**

# **PARTS CATALOG**

Spec. No. RAC32031011  
(E/G Spec.No. EX210D20160)

# CONTENTS

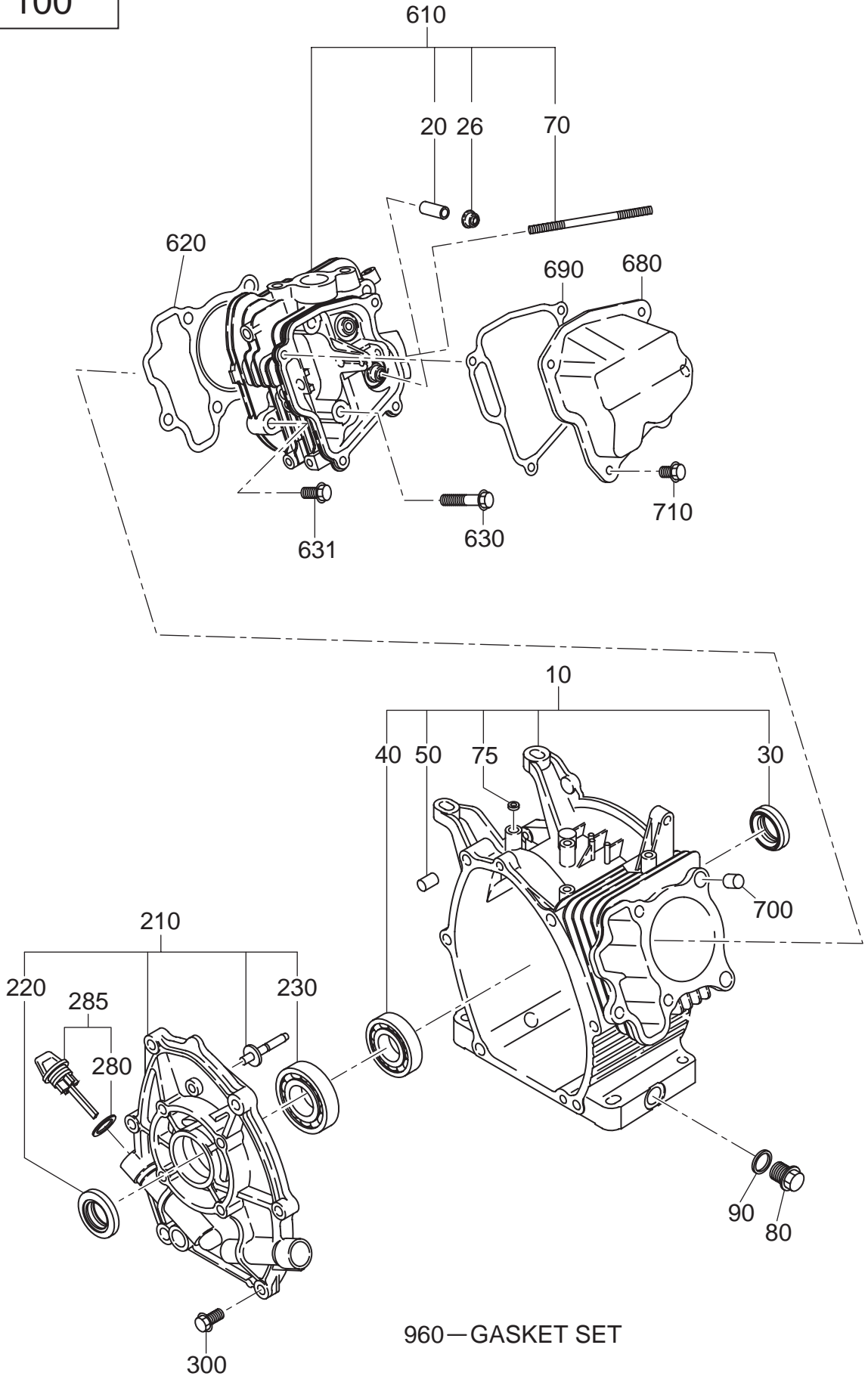
## ENGINE PARTS

		FIG.
1	CRANK CASE	100
2	CRANKSHAFT, PISTON	200
3	INTAKE EXHAUST	300
4	GOVERNOR OPERATION	400
5	COOLING STARTING	500
7	ELECTRIC DEVICE	700

## GENERATOR PARTS

21	ENGINE AY	2110·2130·2150·2160·2170
	(INC.MUFFLER, AIR CLEANER, STARTER, CARBURETOR, ELECTRIC DEVICE)	
22	GENERATOR	2200
23	BASE FRAME	2300
24	CONTROL	2400
25	COVER	2500
26	FUEL TANK	2600
29	ACCESSORIES	2900

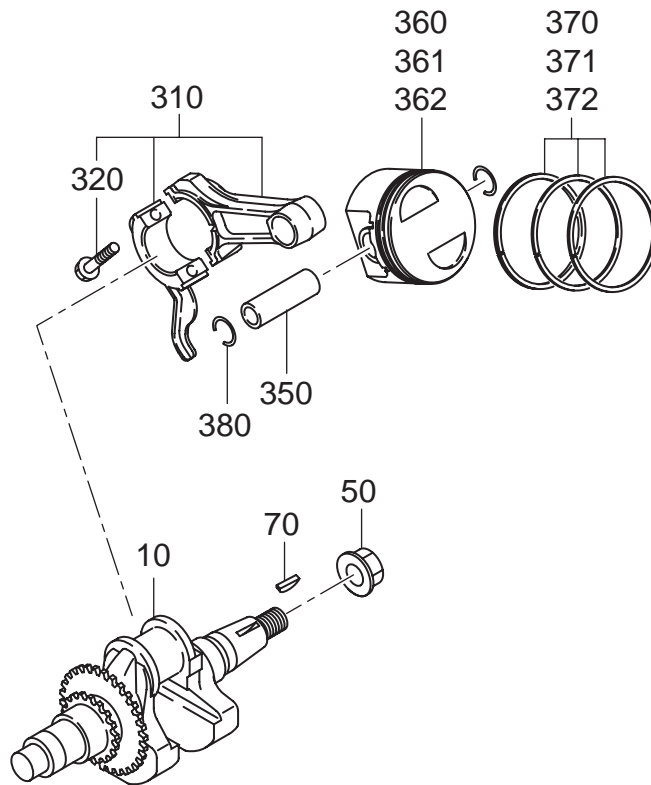
FIG. 100



# 1 CRANK CASE

REF.	PART NUMBER	PART NAME	QTY	R E M A R K S	CODE NO.	INTERCHANGE P/NO.	UNIT P	FIG.
10	278-10102-61	CRANK CASE CP	1		8553-			100
	278-10102-51	CRANK CASE CP	1		7884-8552			100
	277-10102-41	CRANK CASE CP	1	W/OIL SENSOR	-7883			100
20	237-14202-03	VALVE GUIDE	2	5. 5DX9. 5DX27L	-			100
26	277-16010-01	STEM SEAL	1	5. 5DX9. 5DX15DX7. 8B	-			100
30	044-02502-00	OIL SEAL	1	25DX38DX7B	-			100
40	060-02800-21	BALL BEARING	1	28DX58DX16B	-			100
50	277-15011-03	PIPE KNOCK	2	10. 3DX8. 5DX14L	-			100
70	010-50603-51	STUD	2	M6X1. 0X98L	-			100
75	044-00600-20	OIL SEAL 6X10X2. 5	1		-			100
80	040-11400-30	PLUG	1	M14X1. 5X20DX12L	-			100
90	021-11400-20	GASKET	1	14. 1DX19DX2. 3T	-			100
210	277-11001-31	MAIN BEARING COVER C	1	FLANGE 4-M8X1. 25	-			100
220	044-02502-10	OIL SEAL	1	25DX41. 25DX6B	-			100
230	X60-02501-40	BALL BEARING	1	25DX52DX15B	7762-			100
	060-02501-40	BALL BEARING	1	25DX52DX15B	-7761	X60-02501-40		100
280	277-63601-08	GASKET	2		-			100
285	277-63601-30	OIL GAUGE AY	2		7853-			100
	277-63601-20	OIL GAUGE AY	2		7153-7852			100
	277-63601-10	OIL GAUGE AY	2		-7152			100
300	001-04083-50	FLANGE BOLT	6	M8X1. 25X16DX35L	-			100
610	278-13005-01	CYLINDER HEAD CP	1		6118-			100
620	277-15001-33	GASKET (HEAD)	1		7976-			100
	277-15001-23	GASKET (HEAD)	1	T=0. 2	-7975	277-15001-33		100
630	011-00802-40	FLANGE BOLT	4	M8X1. 25X16DX68L	-			100
631	011-00803-10	FLANGE BOLT	1	M8X1. 25X16DX33L	6179-			100
	001-04083-50	FLANGE BOLT	1	M8X1. 25X16DX35L	-6178			100
680	277-15503-01	ROCKER COVER CP	1		6666-			100
	277-15501-01	ROCKER COVER CP	1		-6665	277-15503-01		100
690	277-16001-13	GASKET (ROCKER COVER)	1	T=0. 5	6241-			100
	277-16001-03	GASKET (ROCKER COVER)	1	T=0. 7	-6240	277-16001-13		100
700	277-15011-03	PIPE KNOCK	2	10. 3DX8. 5DX14L	-			100
710	011-00600-20	FLANGE BOLT	4	M6X1. 0X14DX12L	-			100
960	277-99001-47	GASKET SET	1		-			100

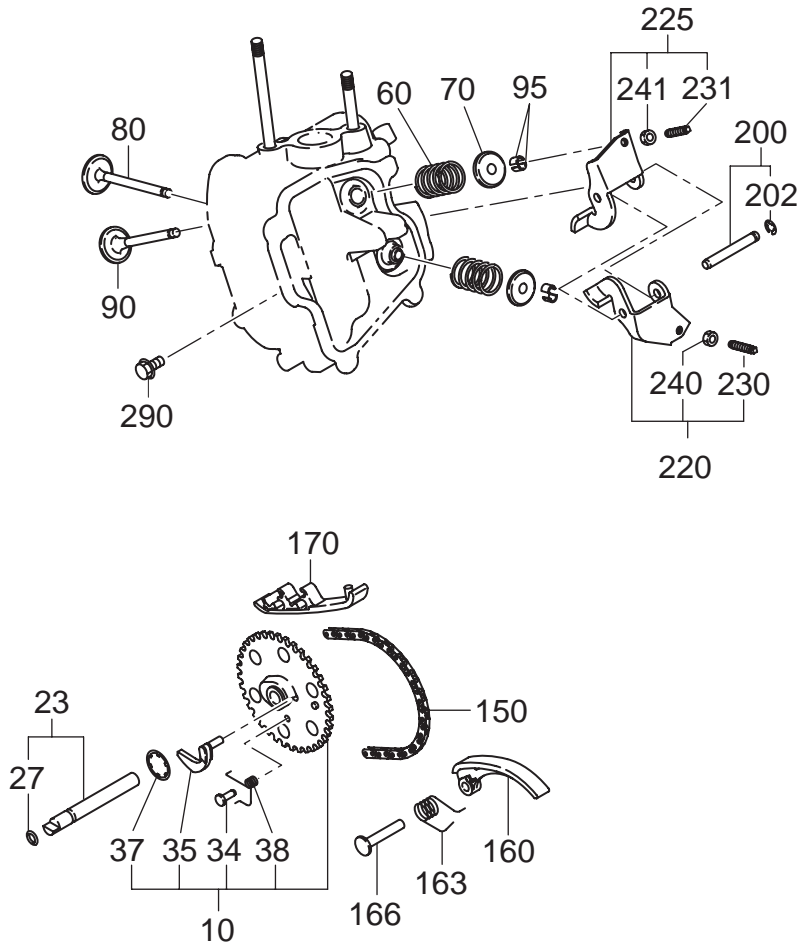
FIG. 200



## 2 CRANKSHAFT, PISTON

REF.	PART NUMBER	PART NAME	QTY	R E M A R K S	CODE NO.	INTERCHANGE P/NO.	UNIT P	FIG.
10	278-20501-01	CRANK SHAFT CP	1	L=214	-			200
50	018-01400-20	FLANGE NUT	1	M14X1. 5X28DX12H	-			200
70	032-30300-10	WOODRUFF KEY	1	3BX6HX16D	-			200
310	278-22501-10	CONNECTING ROD AY	1	91. 3CDX25B 30D-16D	-			200
320	277-23001-03	CONNECTING ROD BOLT	2	M6X1. 0X13DX33L	-			200
350	277-23301-13	PISTON PIN	1	16DX11DX48. 5L	6666-			200
	277-23301-03	PISTON PIN	1	16DX11DX48. 5L	-6665	277-23301-13		200
360	277-23401-J3	PISTON	1	STD (67DX40H)	6607-			200
	277-23401-H3	PISTON	1	STD (67DX40H)	6358-6606	277-23401-J3		200
	277-23401-03	PISTON	1	STD (67DX40H)	-6357	277-23401-H3		200
361	277-23403-J3	PISTON	1	0. 25 O. S. (67DX40H)	6607-			200
	277-23403-H3	PISTON	1	0. 25 O. S. (67DX40H)	6358-6606	277-23403-J3		200
	277-23403-03	PISTON	1	0. 25 O. S. (67DX40H)	-6357	277-23403-H3		200
362	277-23404-J3	PISTON	1	0. 50 O. S. (67DX40H)	6607-			200
	277-23404-H3	PISTON	1	0. 50 O. S. (67DX40H)	6358-6606	277-23404-J3		200
	277-23404-03	PISTON	1	0. 50 O. S. (67DX40H)	-6357	277-23404-H3		200
370	277-23531-07	PISTON RING SET	1	STD(67D) OIL 3PIECE	-			200
371	277-23532-07	PISTON RING SET	1	0. 25 O. S. OIL 3PIECE	-			200
372	277-23533-07	PISTON RING SET	1	0. 50 O. S. OIL 3PIECE	-			200
380	056-51600-10	CLIP	2	17. 1DX1. 4D	-			200

FIG. 300



### 3 INTAKE EXHAUST

REF.	PART NUMBER	PART NAME	QTY	REMARKS	CODE NO.	INTERCHANGE P/NO.	UNIT P	FIG.
10	278-31601-31	CAM SHAFT CP	1	85DX2. 9B N=40	6696-			300
	278-31601-21	CAM SHAFT CP	1	85DX2. 9B N=40	6635-6695	278-31601-31		300
	278-31601-11	CAM SHAFT CP	1	85DX2. 9B N=40	-6634	278-31601-21		300
23	277-35101-01	PIN(CAM SHAFT) CP	1		-			300
27	024-00600-10	O RING	1	5. 8DX9. 6D	-			300
34	277-38601-03	PIN (SPRING)	1	4DX8DX9L	-			300
35	277-36401-03	RELEASE LEVER	1		-			300
37	277-36501-03	CLIP	1	13. 8DX20. 3DX0. 4T	-			300
38	279-38701-13	RETURN SPRING	1	5. 3DX0. 6DX5. 5L N=5. 7	-			300
60	279-33601-03	VALVE SPRING	2	19. 2DX2. 3DX27. 4L	-			300
70	269-33701-03	SPRING RETAINER	2		-			300
80	277-33401-H3	INTAKE VALVE	1	25. 5DX5. 5DX68. 1L	6291-			300
	277-33401-13	INTAKE VALVE	1	25. 5DX5. 5DX68. 1L	-6290	277-33401-H3		300
90	277-33501-H3	EXHAUST VALVE	1	23. 5DX5. 5DX68. 1L	6291-			300
	277-33501-13	EXHAUST VALVE	1	23. 5DX5. 5DX68. 1L	-6290	277-33501-H3		300
95	132-10KA0-31	COLLET-VALVE	4		-			300
150	278-35601-11	TIMING CHAIN CP	1	92 LINK	-			300
160	277-36911-03	TENTIONER	1		-			300
163	277-37101-03	SPRING (TENTIONER)	1	10DX1. 8DX14L N=4. 5	-			300
166	277-36902-03	PIN (TENTIONER)	1	6DX13DX34L	-			300
170	277-36913-13	CHAIN GUIDE	1		-			300
200	277-35004-01	PIN (ROCKER) CP	1		7853-			300
	277-35002-01	PIN (ROCKER) CP	1	6DX46L	-7852	277-35004-01		300
202	003-13050-00	CLIP	1	5DX11DX0. 6T	-			300
220	277-36201-00	ROCKER ARM (IN) AY	1		-			300
225	277-36202-00	ROCKER ARM (EX) AY	1		-			300
230	014-90500-20	ADJUST SCREW	1	M5X0. 5X23L	-			300
231	014-90500-20	ADJUST SCREW	1	M5X0. 5X23L	-			300
240	017-00500-30	NUT	1	M5X0. 5X4. 1H	-			300
241	017-00500-30	NUT	1	M5X0. 5X4. 1H	-			300
290	011-00600-10	FLANGE BOLT	1	M6X1. 0X14DX8L	8096-			300
	011-00600-20	FLANGE BOLT	1	M6X1. 0X14DX12L	-8095			300



FIG. 400

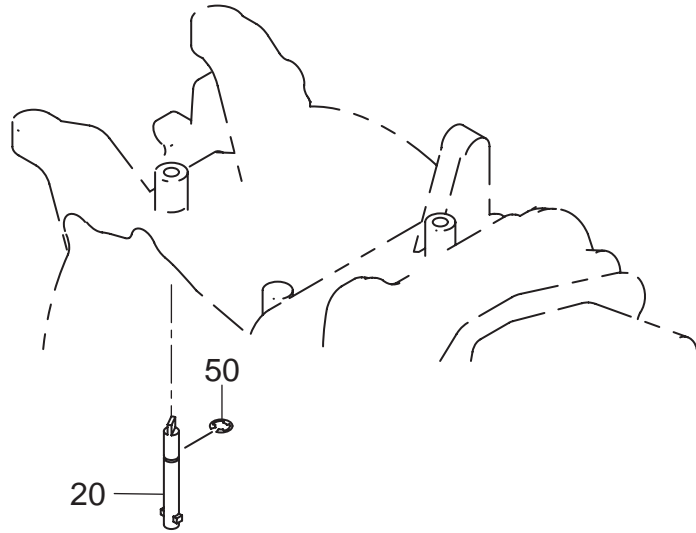




FIG. 500

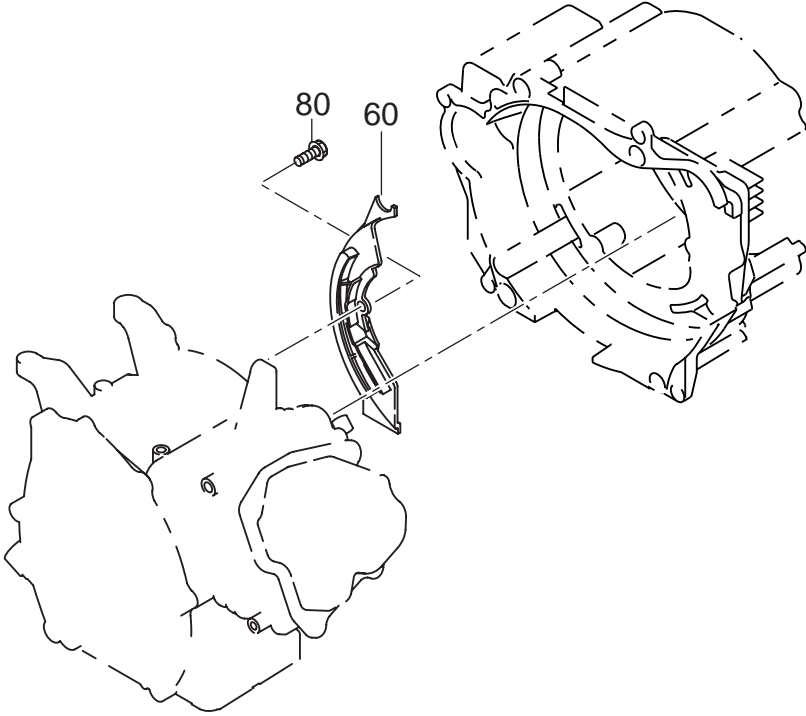




FIG. 700

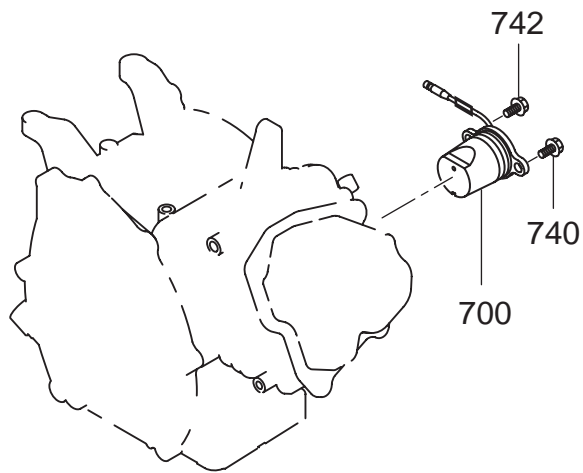
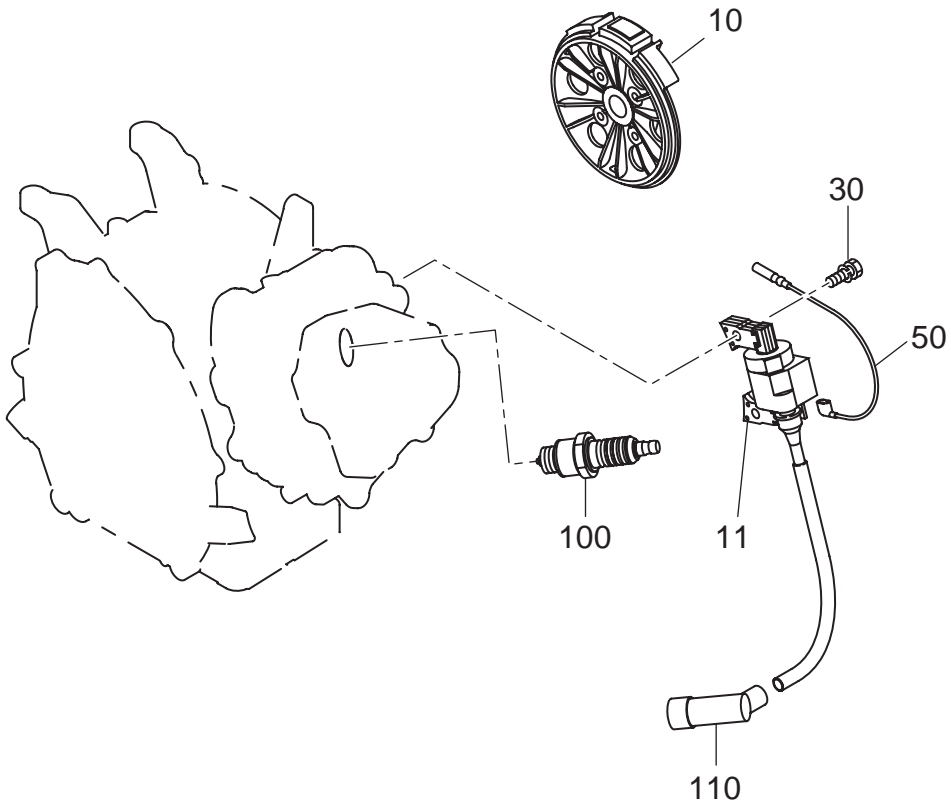




FIG. 2110

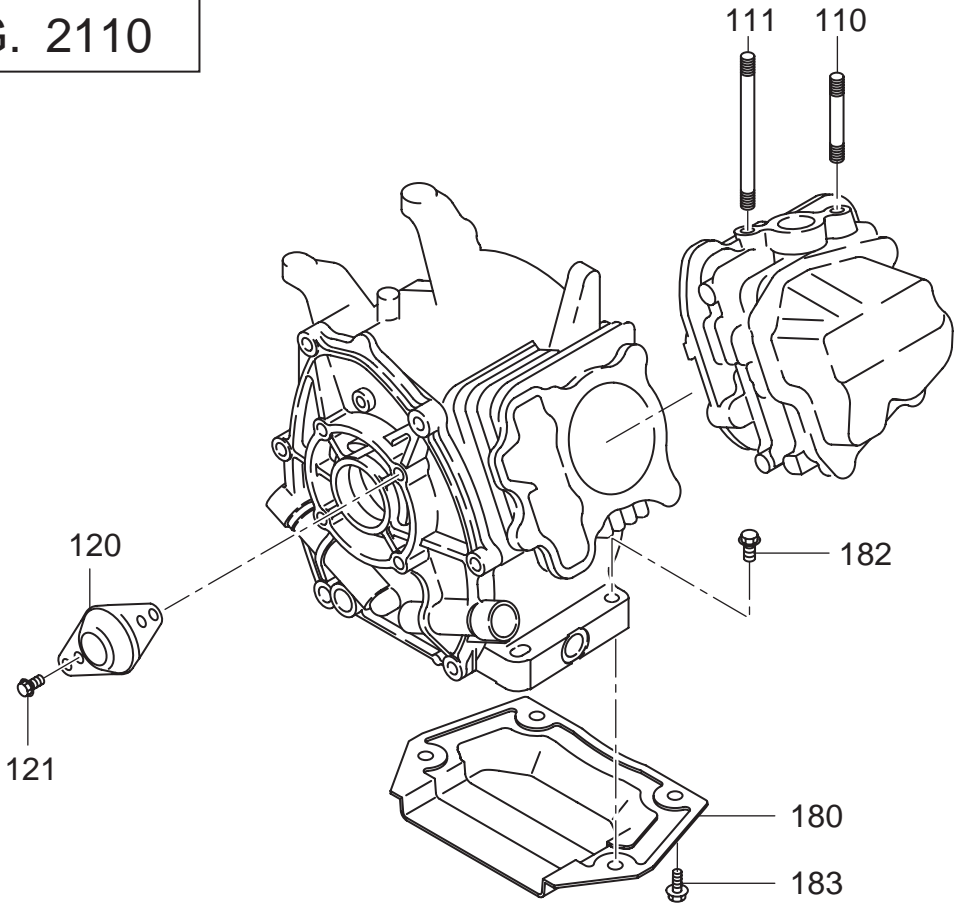


FIG. 2130

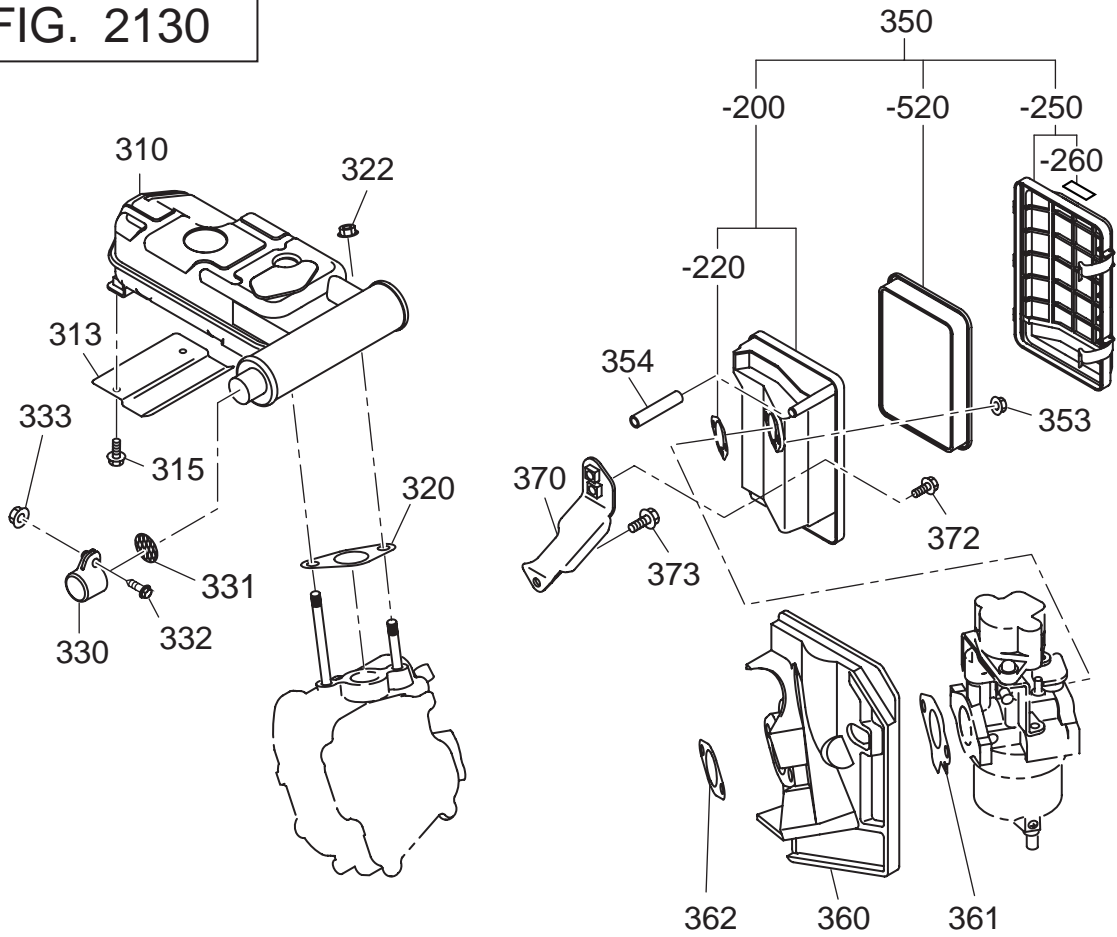






FIG. 2150

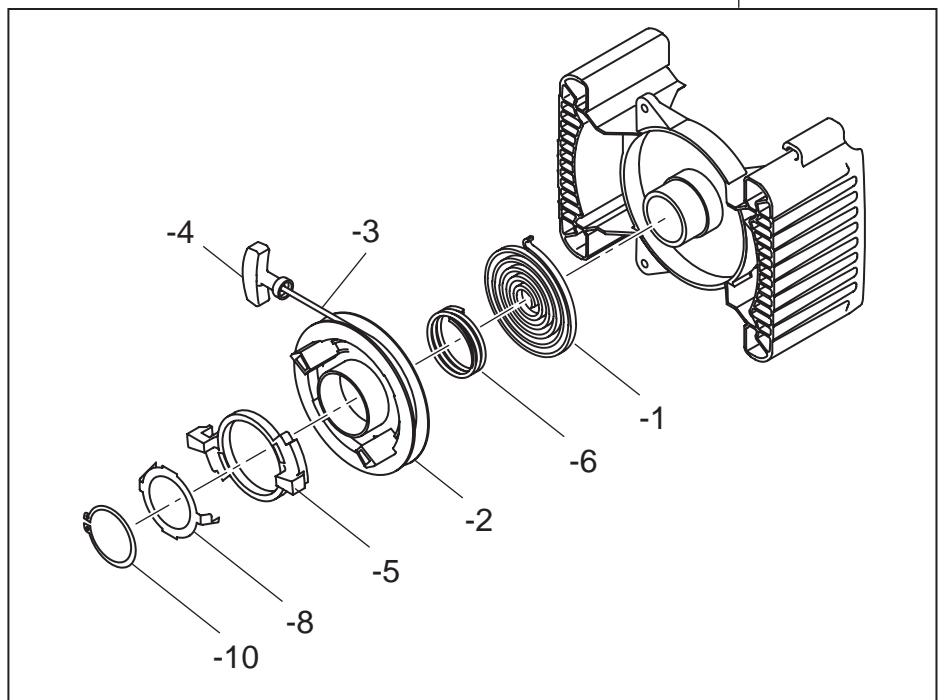
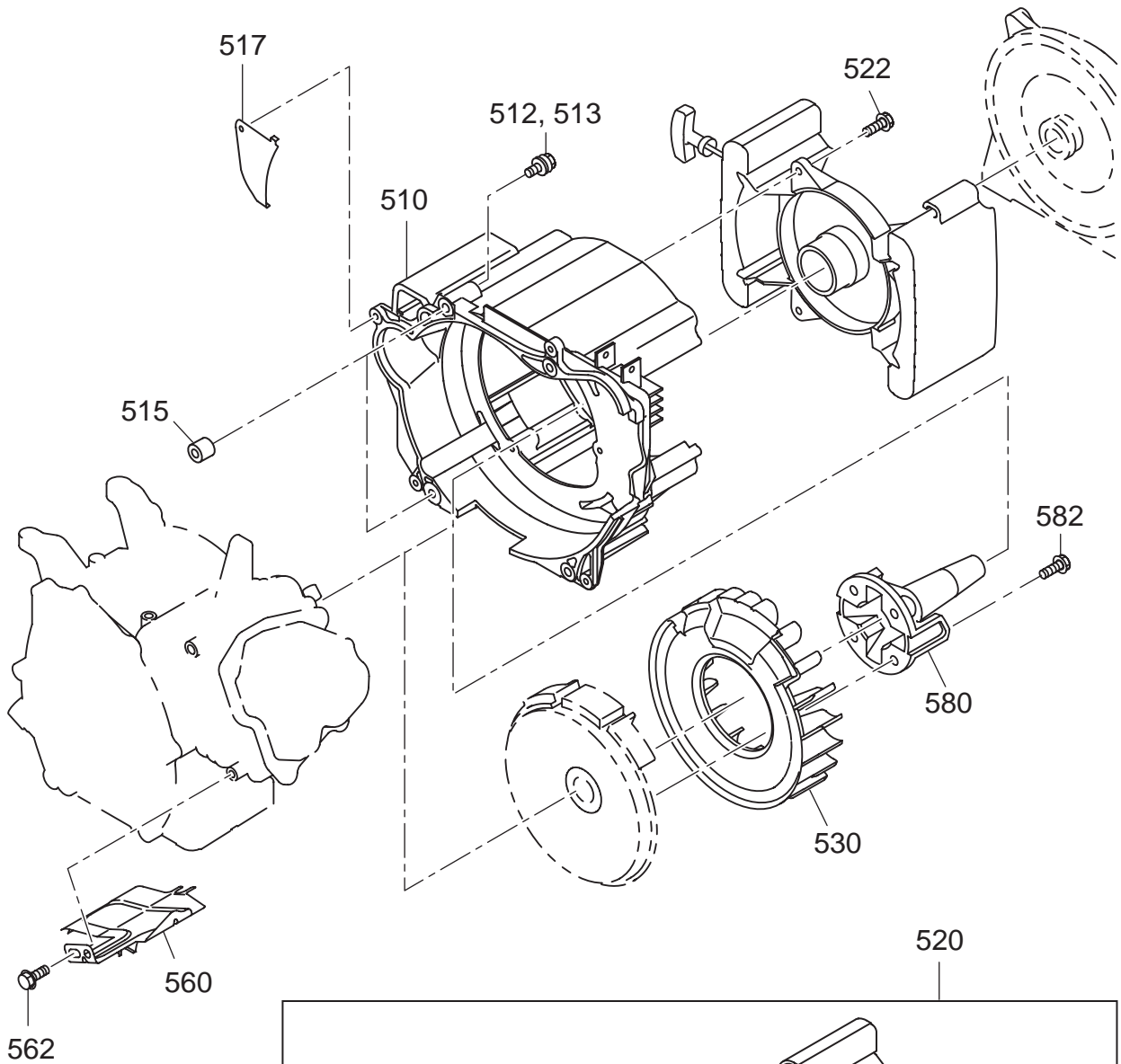
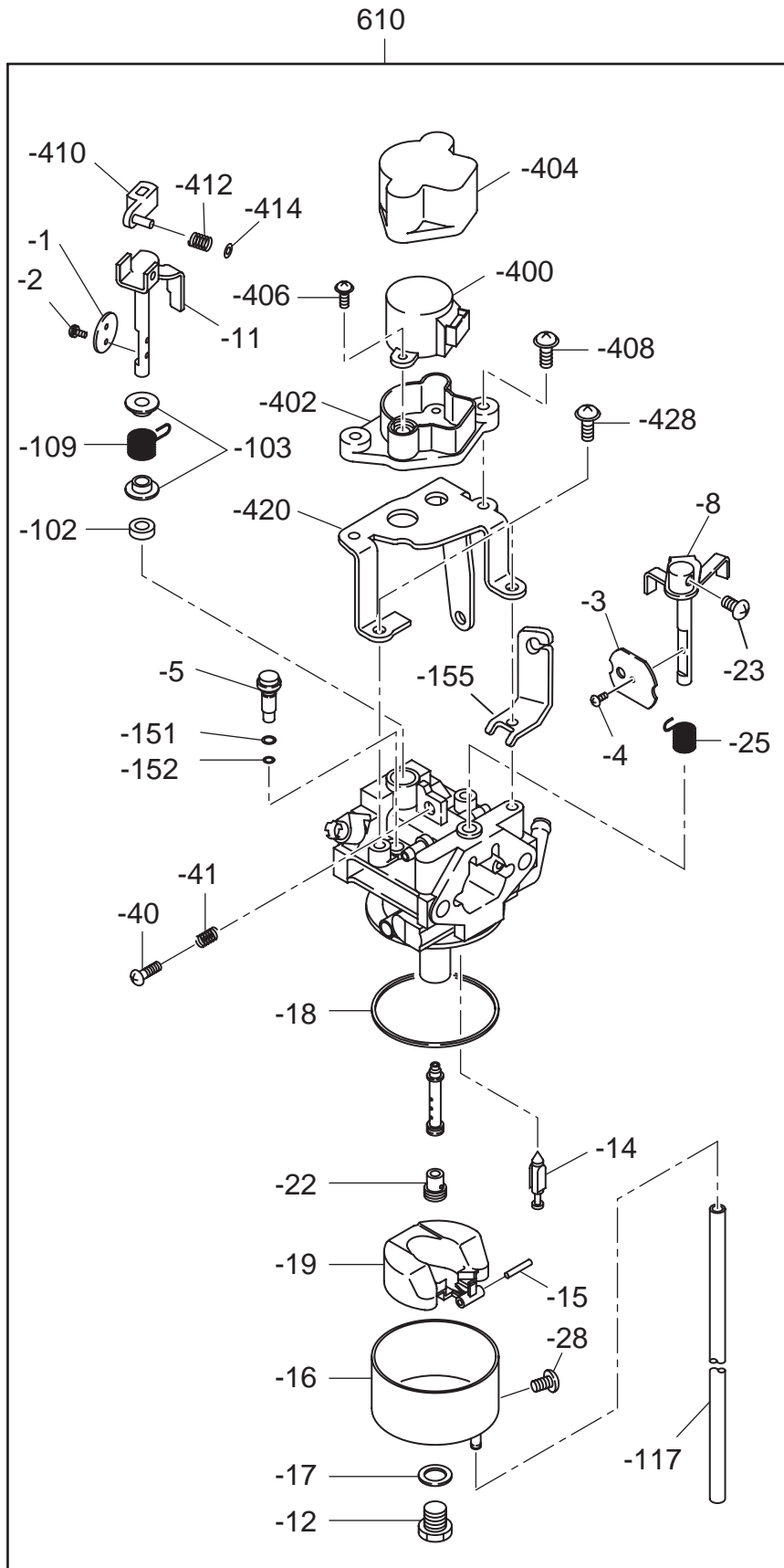




FIG. 2160



## 21 ENGINE AY

REF.	PART NUMBER	PART NAME	QTY	R E M A R K S	CODE NO.	INTERCHANGE P/NO.	UNIT P	FIG.
610	278-62330-10	CARBURETOR AY	1		-			2160
- 1	277-62536-08	VALVE THROTTLE	1		-			2160
- 2	284-62455-08	SCREW	2		-			2160
- 3	284-62525-08	VALVE CHOKE	1		-			2160
- 4	284-62455-08	SCREW	1		-			2160
- 5	278-62421-08	JET, SLOW	1		-			2160
- 8	284-62520-08	SHAFT AY CHOKE	1		-			2160
- 11	277-62532-18	SHAFT SUB AY	1		-			2160
- 12	284-62355-08	SCREW	1		-			2160
- 14	279-62500-08	VALVE ASSY, NEEDLE	1		-			2160
- 15	284-62515-08	PIN, FLOAT LEVER	1		-			2160
- 16	284-62550-08	CHAMBER AY, FLOAT	1		-			2160
- 17	251-62350-08	GASKET	1		-			2160
- 18	284-62540-08	GASKET, CHAMBER	1		-			2160
- 19	284-62505-08	FLOAT AY	1		-			2160
- 22	278-62402-08	JET, MAIN	1		-			2160
- 23	284-62456-08	SCREW	1		-			2160
- 25	284-62445-08	SPRING, CHOKE	1		-			2160
- 28	251-62661-08	DRAIN SCREW	1		-			2160
- 40	277-62581-08	SCREW ADJUST	1		-			2160
- 41	251-62449-08	SPRING	1		-			2160
-102	251-62559-08	BUSH	1		-			2160
-103	284-62561-08	COLLAR	2		-			2160
-109	284-62315-18	SPRING, THROTTLE	1		-			2160
-117	277-62590-08	PIPE	1		-			2160
-151	284-62450-08	O-RING	1		-			2160
-152	284-62451-08	O-RING	1		-			2160
-155	277-62451-08	BRACKET WIRE	1		-			2160
-400	284-62580-08	MOTOR	1		-			2160
-402	284-62576-18	BRACKET, MOTOR	1		-			2160
-404	277-62595-08	COVER, MOTOR	1		-			2160
-406	284-62458-08	SCREW	2		-			2160
-408	284-62457-08	SCREW	2		-			2160
-410	284-62555-08	JOINT LEVER	1		-			2160
-412	284-62446-18	SPRING	1		-			2160
-414	284-62447-08	WASHER	1		-			2160
-420	284-62575-08	BRACKET	1		-			2160
-428	284-62457-08	SCREW	3		-			2160

FIG. 2170

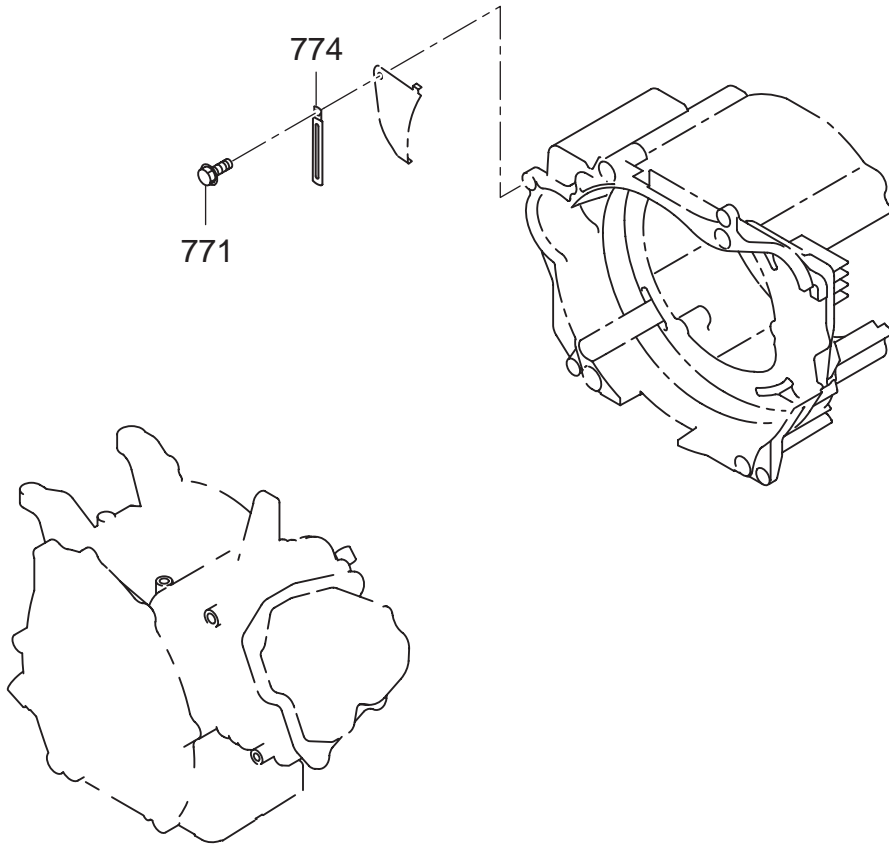




FIG. 2200

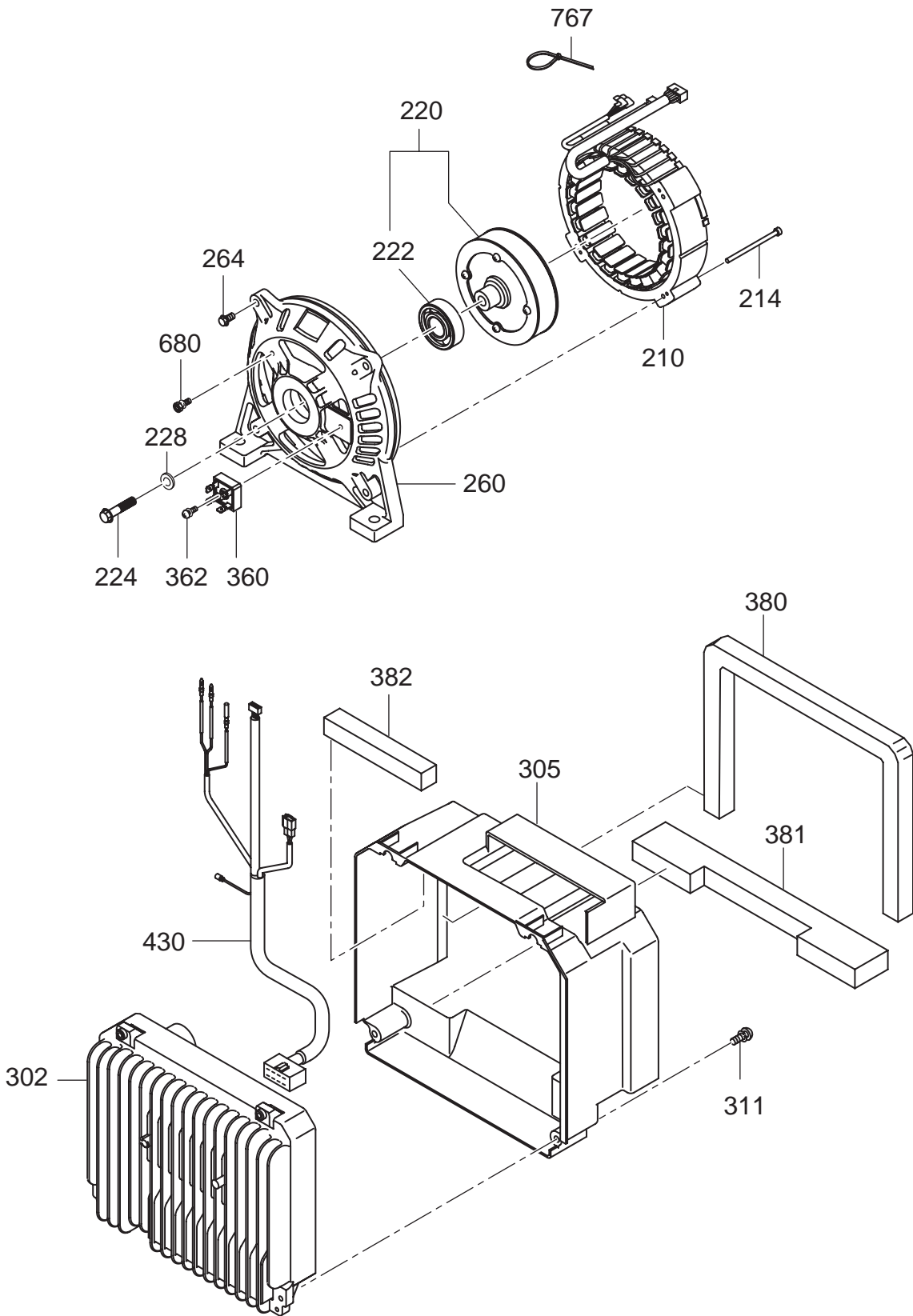






FIG. 2300

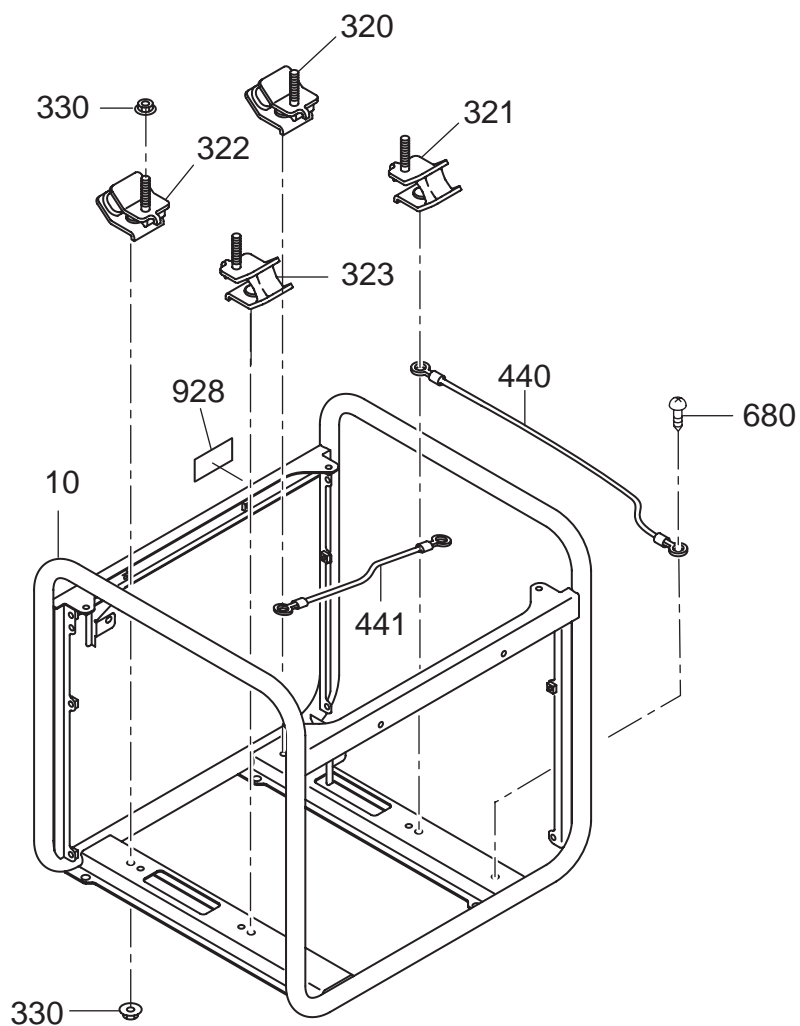
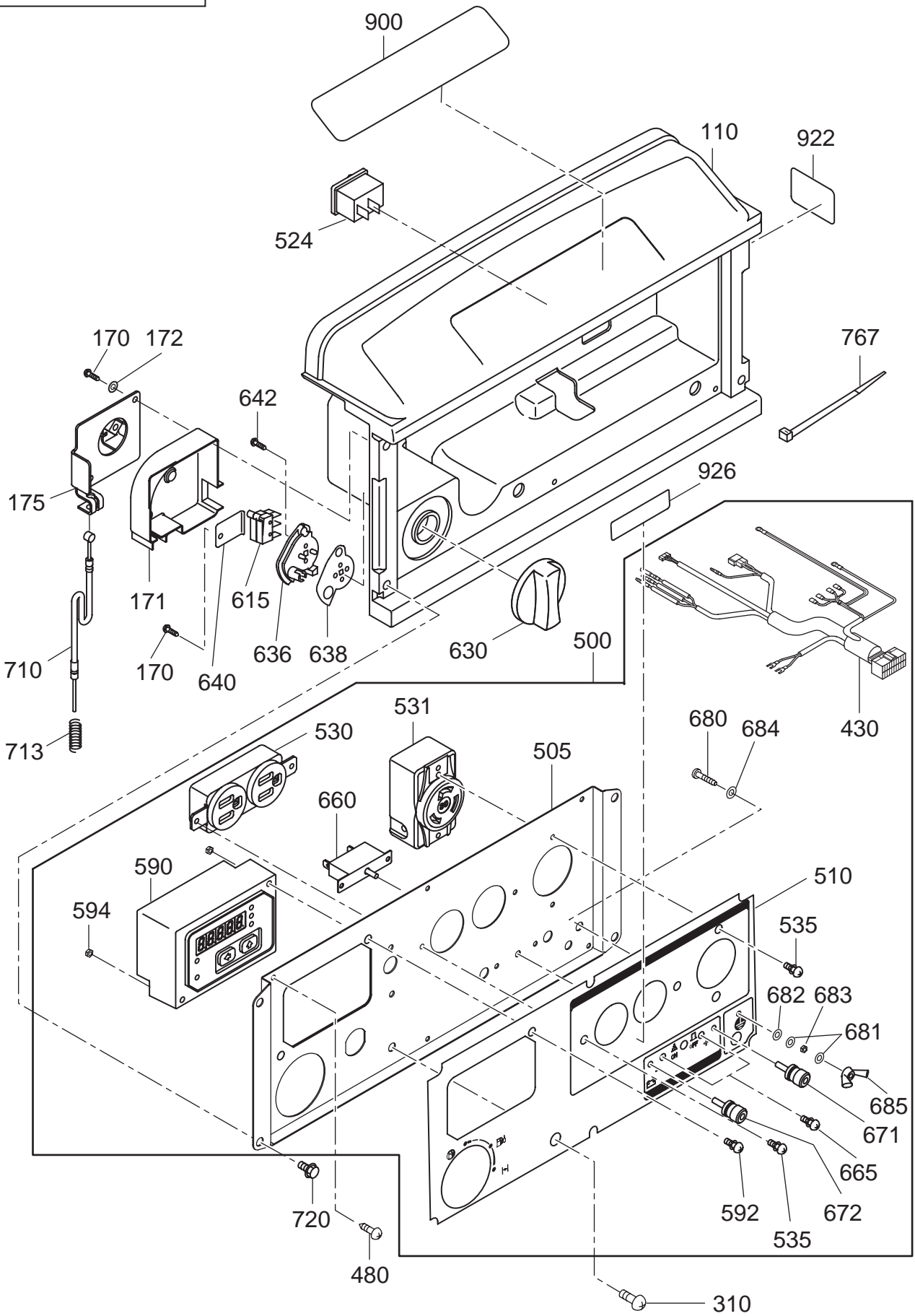




FIG. 2400



## 24 CONTROL

REF.	PART NUMBER	PART NAME	QTY	R E M A R K S	CODE NO.	INTERCHANGE P/NO.	UNIT P	FIG.
110	33B-50001-11	FRONT COVER (UPPER) CP	1		-			2400
170	33B-40002-08	TAPPING SCREW	3		-			2400
171	33B-46001-03	COVER (COCK)	1		-			2400
172	003-10040-00	WASHER	2		-			2400
175	33B-46012-11	BRACKET (COCK)	1		-			2400
310	33B-40004-08	SCREW AND WASHER AY	2		-			2400
430	34B-48013-01	WIRE HARNESS CP	1		-			2400
480	353-49904-08	TAPPING SCREW	6		-			2400
500	34C-41139-30	CONTROL PANEL AY	1		-			2400
505	33B-45002-01	PANEL PLATE	1		-			2400
510	34B-49048-03	SHEET (PANEL VR) 45	1		-			2400
524	33B-40007-08	SWITCH AY	1		-			2400
530	388-85002-01	AC CONCENT	1	125V/15A	-			2400
531	33B-40006-08	CONCENT (30A TWIST)	1		-			2400
535	351-49920-08	SCREW & WASHER AY	4		-			2400
590	KU3-11763-01	MONITOR C/U CP (INV8)	1		-			2400
592	33B-40003-08	SCREW AND WASHER AY	2		-			2400
594	002-17040-00	NUT	2		-			2400
615	33K-41811-03	MICRO SWITCH	2		-			2400
630	33K-42010-03	CONTROL DIAL	1		-			2400
636	33K-42020-03	CHOKE REEL	1		-			2400
638	33K-42030-23	PLATE	1		-			2400
640	33B-46015-01	BRACKET (MICRO)	1		-			2400
642	33B-40001-08	TAPPING SCREW	2		-			2400
660	32B-43041-03	CIRCUIT BREAKER	1	DC 10A	-			2400
665	31B-79011-03	SCREW & WASHER AY	2		-			2400
671	363-45701-08	TERMINAL BOLT	1	RED 20A	-			2400
672	363-45700-08	TERMINAL BOLT	1	BLACK 20A	-			2400
680	388-88001-03	SCREW AND WASHER AY	1		-			2400
681	332-00050-08	SPRING WASHER	2		-			2400
682	353-49903-08	WASHER	1		-			2400
683	353-49902-08	NUT	1		-			2400
684	003-30050-00	LOCK WASHER	1		-			2400
685	353-49901-08	WING NUT	1		-			2400
710	33B-46021-01	CHOKE WIRE CP	1		-			2400
713	226-45001-03	RETURN SPRING	1	14-8DX0. 8DX60L N=14	-			2400
720	014-00601-90	SCREW	4		-			2400
767	056-30000-20	WIRE BAND	3	2. 5BX1. 2TX100L	-			2400
900	34C-90001-03	LABEL, TRADE MARK	1		-			2400
922	33B-99001-03	LABEL, FREQ CH	1		-			2400

FIG. 2400

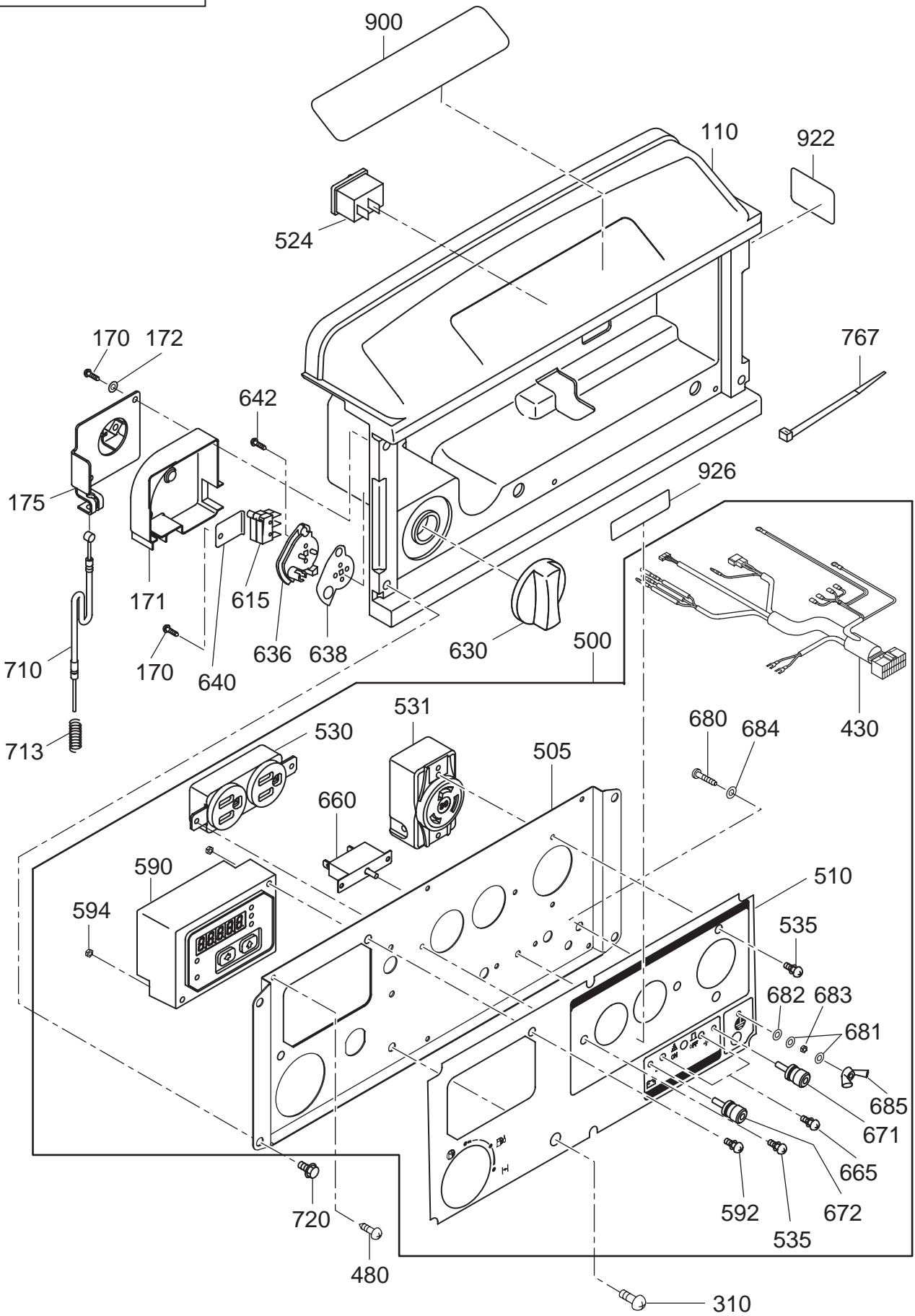




FIG. 2500

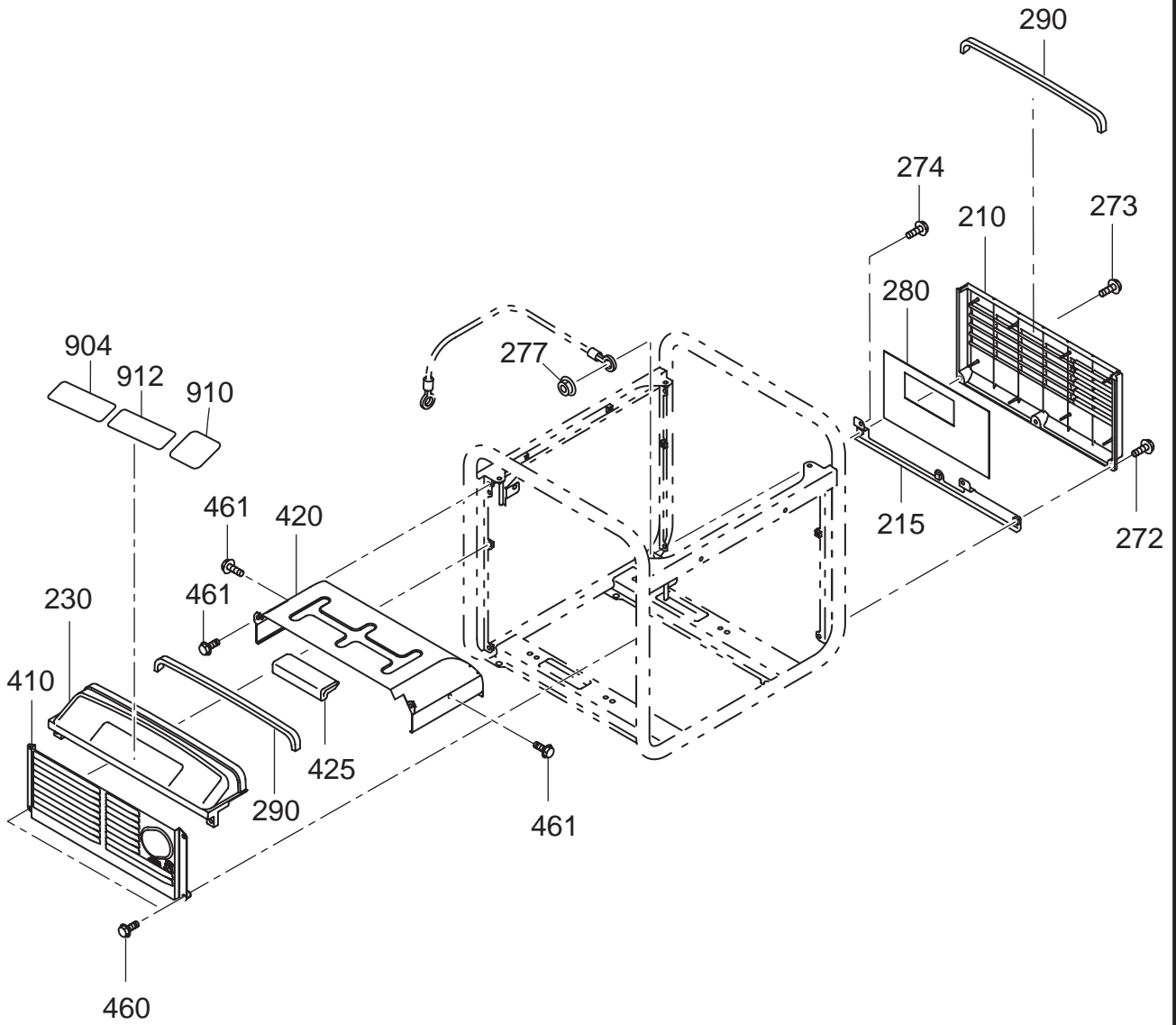






FIG. 2600

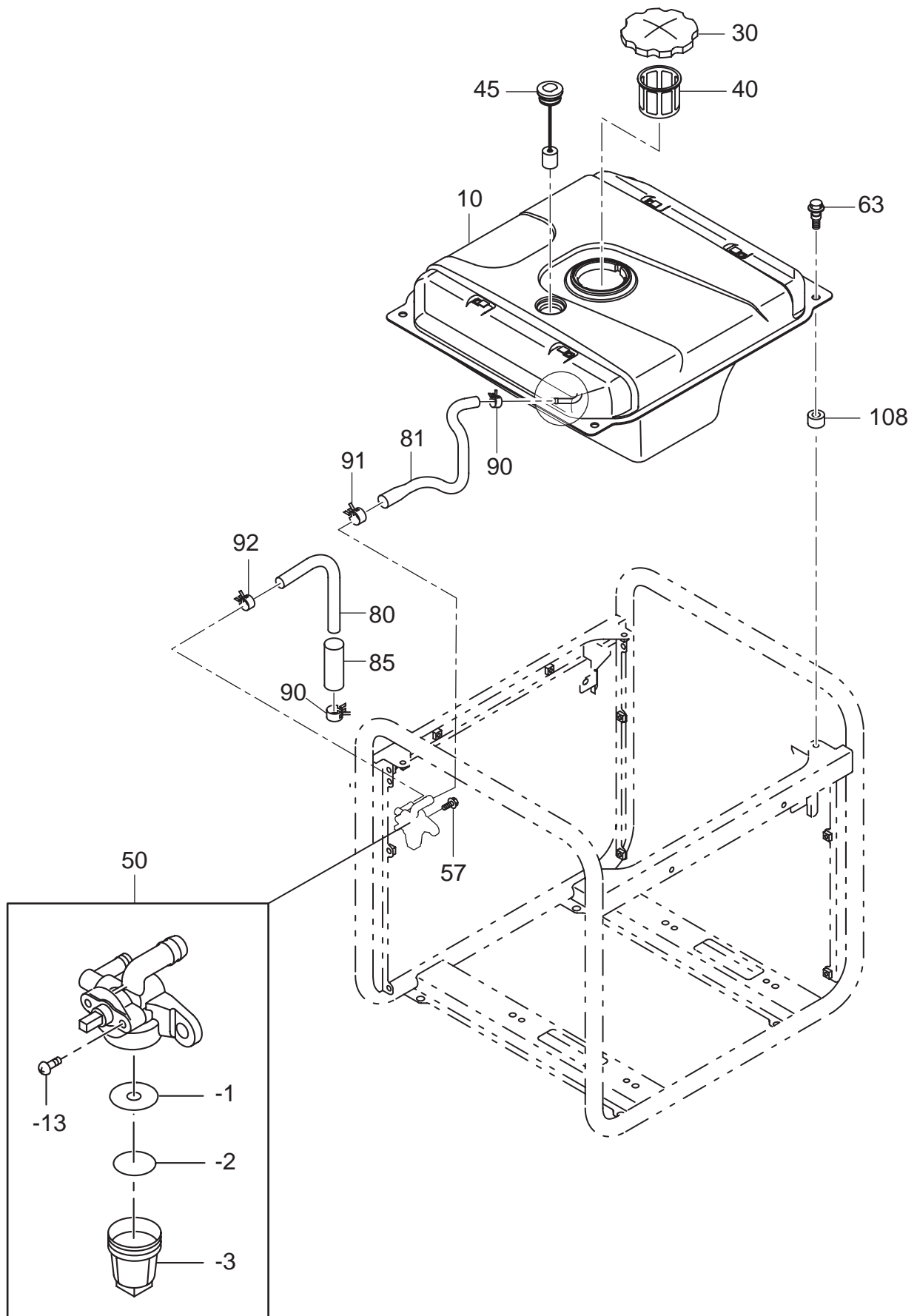




FIG. 2900

